

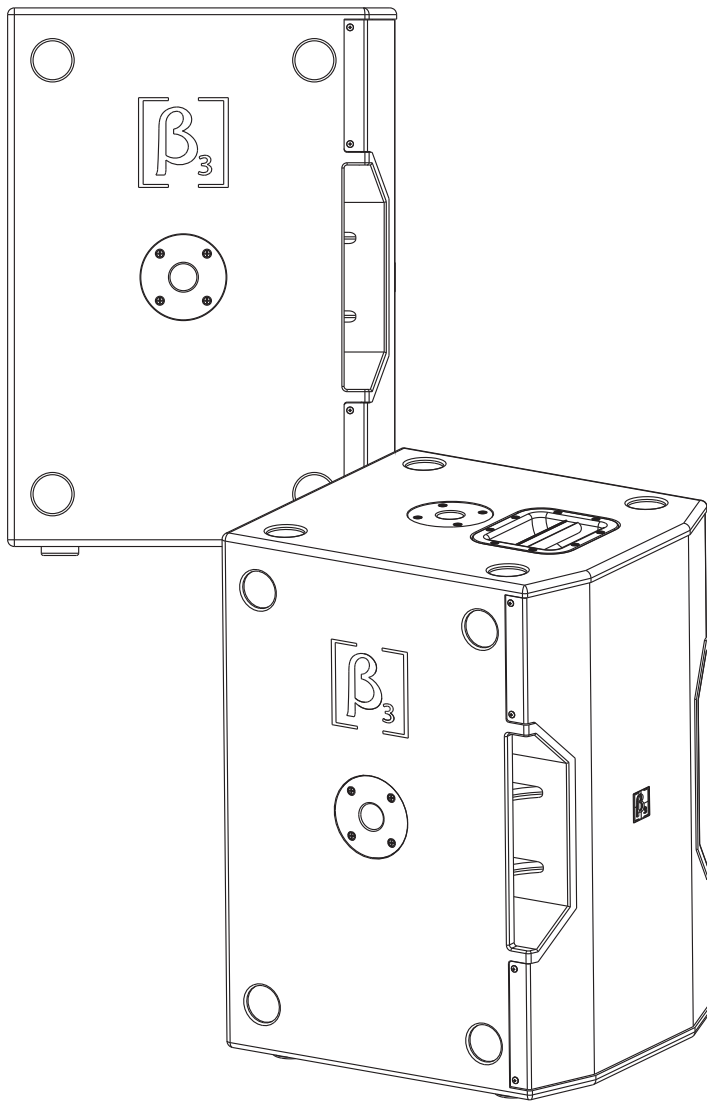


Beta Three

T212Ba

Dual 12" Active Subwoofer

User Manual





UM-T212Ba-20180515 Ver B



SAFETY INSTRUCTIONS

PLEASE READ THIS MANUAL FIRST

Thank you for a buying β_3 product. Read this manual first as it will help you operate the system properly. Please keep this manual for future reference.

⚠ WARNING: *This product must be installed by professionals. When using hanging brackets or rigging other than those supplied with the product, please ensure they comply with the local safety codes.*

	CAUTION RISK OF ELECTRICAL SHOCK DO NOT OPEN	
CAUTION: TO REDUCE THE RISK OF ELECTRIC SHOCK, DO NOT REMOVE COVER (OR BACK). NO USER-SERVICABLE PARTS INSIDE. REFER SERVICING TO QUALIFIED PERSONNEL.		

	AVIS RISQUE DE CHOC ÉLECTRIQUE NE PAS OUVRIR	
ATTENTION : POUR RÉDUIRE LE RISQUE DE DÉCHARGE ÉLECTRIQUE, NE RETIREZ PAS LE COUVERCLE (OU L'ARRIÈRE). IL NE SE TROUVE À L'INTÉRIEUR AUCUNE PIÈCE POUVANT ÊTRE RÉPARÉE PAR L'USAGER. S'ADRESSER À UN RÉPARATEUR COMPÉTENT.		

 **The exclamation point within an equilateral triangle is intended to alert you to the presence of important operating and servicing instructions.**

⚠ ATTENTION: *Don't refit the system or spare parts without being authorized as this will void the warranty.*


⚠ WARNING: *Don't place naked flames (such as candles) close to the equipment.*

1. Read the instruction manual first before using this product.
2. Please keep this manual for future reference
3. Pay attention to all warnings.
4. Obey all operating instructions.
5. Do not expose this product to rain or moisture.
6. Clean this equipment with a dry cloth.
7. Do not block any ventilation openings. Install according to manufacturer's instructions .
8. Do not install this product near any heat source, such as a, heater, burner, or any other equipment with heat radiation .
9. Only use spare parts supplied by the manufacturer.
10. Pay attention to the safety symbol on the outside of the cover.



CONTENT

INTRODUCTION	3
Features	3
Description	3
Applications	3
AMPLIFIER MODULE	4
Amplifier Module	4
INSTALLATION	5
Mounting Accessories	5
Installation Reference	5
TECHNICAL SPECIFICATION	6
Technical Sheet	6
Frequency Response and Impedance Curve	6
2D Dimension	7

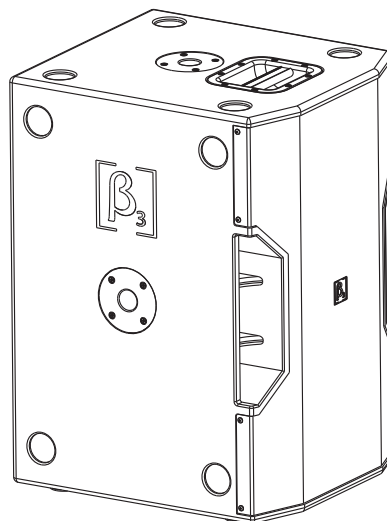
 Product information is subject to change without prior notification. Please visit www.elderaudio.com for latest updates.

T212Ba

Dual 12" Active Subwoofer

Features

- New generation Class D amplifier, durable and reliable.
- Performance enhanced with built-in DSP.
- Computer aided design to optimize frequency and phase response.
- Frequency response range: 31.5Hz-150Hz (-3dB).
- MAX.SPL 135dB/141dB(PEAK).
- Rated power 2000W.



Description

β3 T212Ba is a compact LF active wooden speaker . It is used in middle to large size venues demanding high SPL and reliability. It helps building perfect playback system cooperating with T Series full range products.

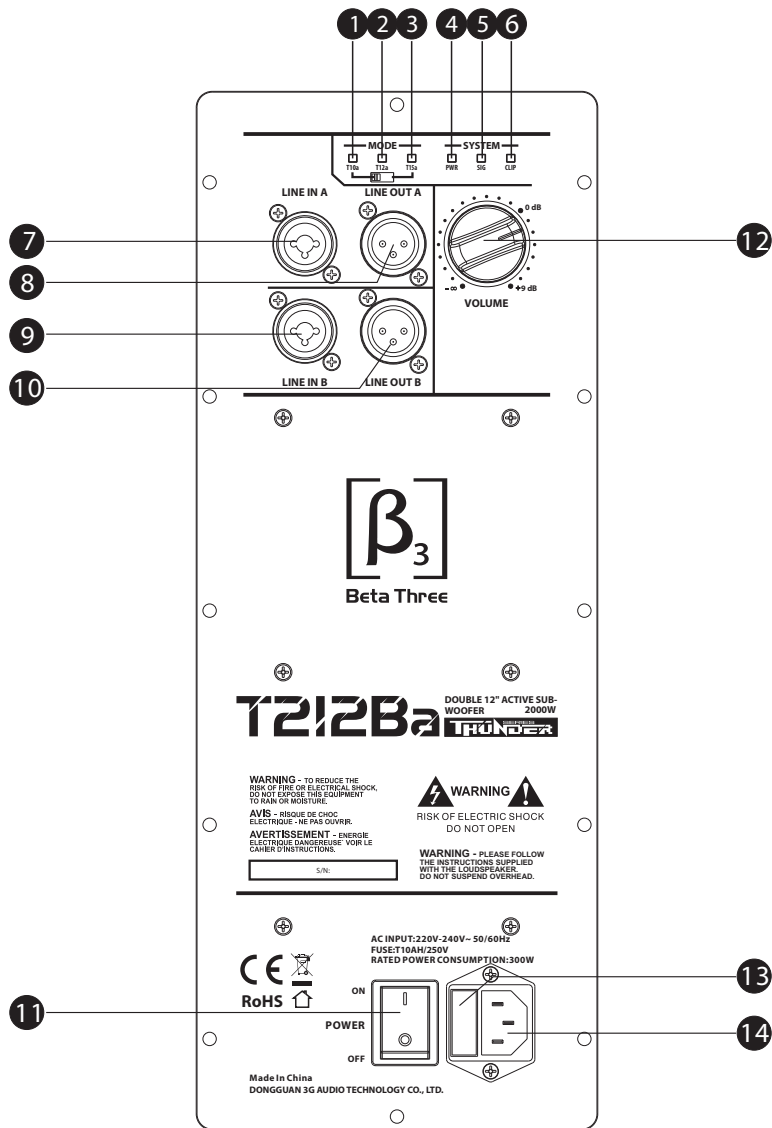
Band-pass design helps T212Ba perform high SPL with small volume. The driver uses high powered 100mm diameter voice coil which is wrapped by copper wires outside. Voice coil Skelton is made of TIL material that improves the tolerance of voice coil power suffering. Ferrite magnetic circuit provides very high BL and line magnetic circuit. Power compression reduces by good heat radiating performance and harmonic distortion also does so by iron choking ring limiting current.

T212Ba is good for carnival and permanent installation benefiting from its multifunctional structure design. Laminated board from China, painted with polyurethane, guarantees its super weather resistance. Two stand rackets, 8*50mm rubber feet and caster rigging points are attached to the loudspeaker, which provides convenient installation, stacking and removal.

Applications

- Small Auditorium
- Multifunctional Hall
- Disco Hall
- Small Performance
- Karaoke Room

Amplifier Module



1. T10a mode

2. T12a mode

3. T15a mode

4. Power indicator

5. Signal indicator

6. Clip indicator

7. Line/microphone input A

8. Line/microphone output A

9. Line input B

10. Line output B

11. Power **ON/OFF** switch

12. Volume control

13. Protection fuse

Use only fuse of the correct amp rating.

14. Power supply input

Make sure that the voltage is set for your country's correct voltage.

⚠ Attention: Before changing the MODE switch, please power the speaker off to avoid possible damage.

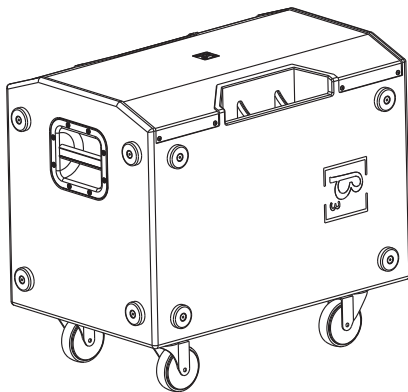
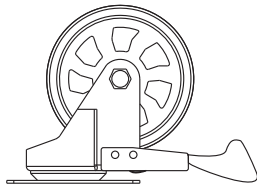
Mounting Accessories(Optional)

1. Speaker stand



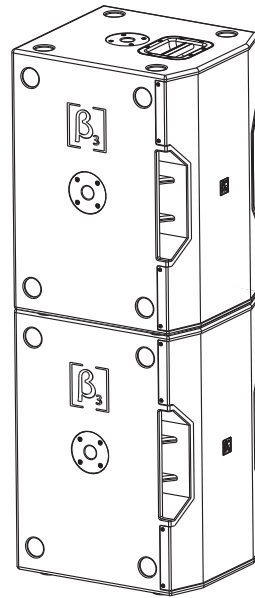
2. Mobile Caster

- Caster: ϕ 100 *34mm 4 pcs
- Screws: M8 *30 Hexagon 16 pcs
- Spring washers: ϕ 8 (Black) 16 pcs
- Flat washers: ϕ 8 (Black) 16 pcs
- PE bag: 4 pcs
- Carton: 1 pc

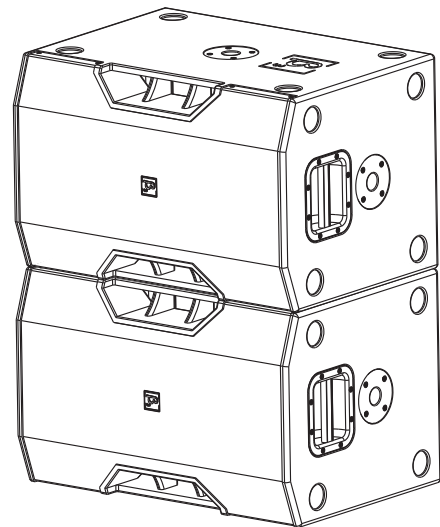


Installation Reference

1. Stack A



2. Stack B



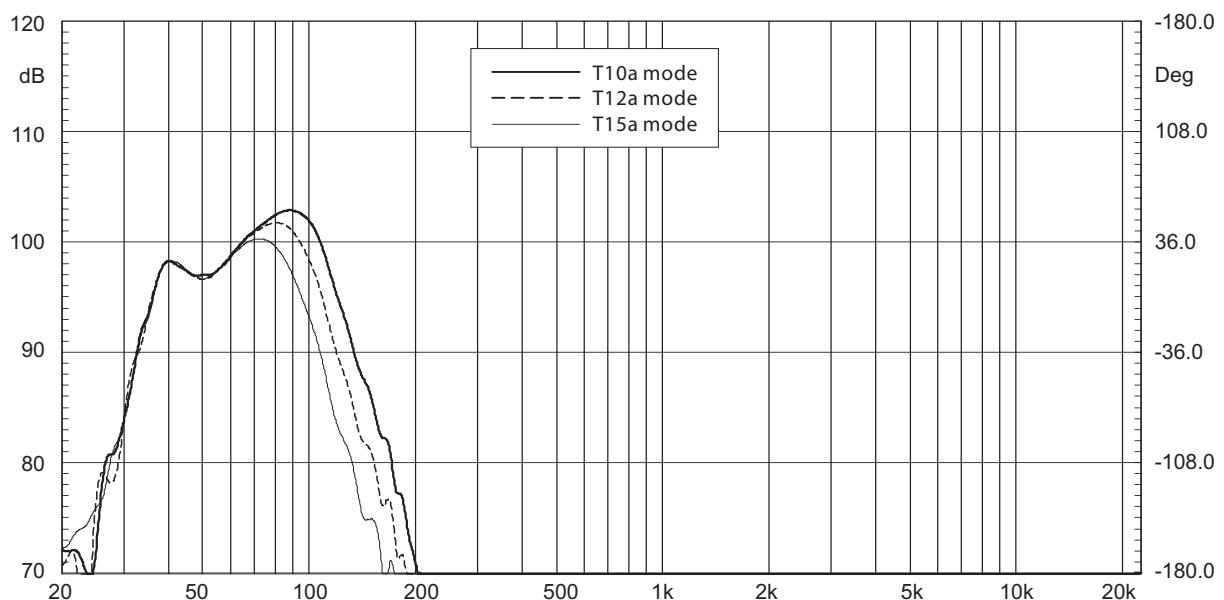
Warning: Make sure the mounting accessories safety factor not less than 5:1 or meet the local standard during installation .



Specification

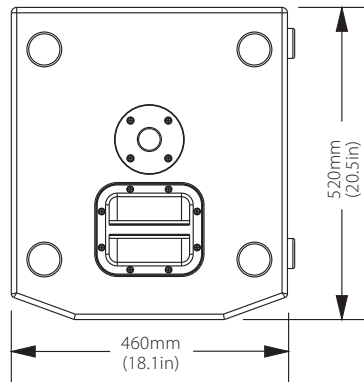
Frequency response(-3dB):	40Hz-150Hz
Max.SPL:	135dB
Transducer:	2 × 12" Woofer
Rated impedance:	4 Ohms
Connector:	XLR for input, XLR for output
Input:	Channel one (Mic/Line) balanced input
Input impedance(line):	20Kohm
Input level:	360mV ± 10%(60Hz/Rated output power/T12a Mode)
Input overloading level:	Maximum input level 8 V peak
Wire connection:	pin 1: ground; pin2: signal +; pin3: signal -
Heat radiation:	Forced air-cooled drives
Power cable:	IEC 3 pin power connector
Safety voltage range:	AC 220V-240V~50/60Hz
Amplifier power output:	2000W
Cabinet:	Plywood
Flying/ Mounting accessories:	Fixed supporting base
Handle:	2 × Iron handle
Painting:	Powered coated grill
Cabinet dimension(W × D × H):	460 × 520 × 720mm(18.1 × 20.5 × 28.4in)
Packing dimension(W × D × H):	630 × 580 × 850mm(24.8 × 22.8 × 33.5in)
Net weight:	42.0kg(92.4 lb)
Gross weight:	45.0kg(99.0 lb)

Frequency response curve

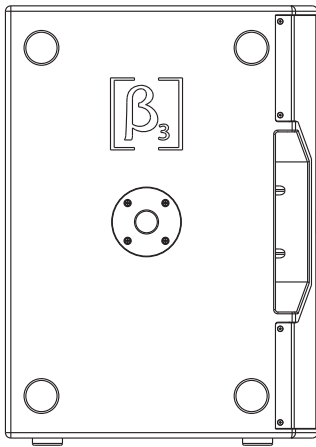


2D Dimension

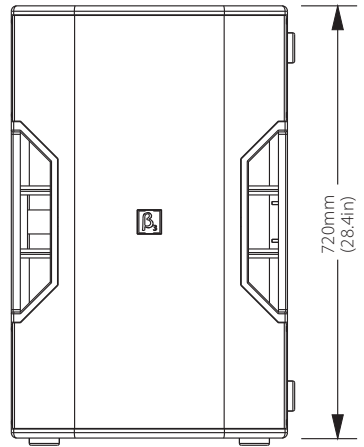
Top view



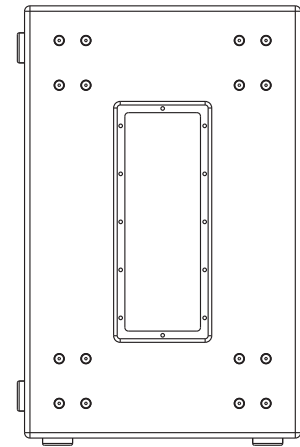
Side view



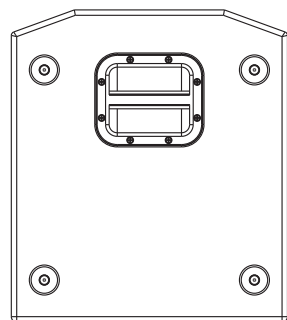
Front view



Back view



Bottom view



Notes:



Beta Three