

## Features:

- Two-way passive speaker with one 10" woofer and one 1.5" driver.
- Cabinet is made from polypropylene and special high-tech material in large injection mold. It's durable, anti-shock and has good damping characters.
- Voice coil in the 10" woofer is made from  $\varnothing$  75mm copper cladding aluminium ribbon wire.
- Heavy duty protective grille.
- The high frequency driver is protected by special design circuit to avoid being damaged when overload.
- Rotatable 90° x 60° (HxV) dispersion horn makes it suitable for any performance purposes.
- Molded-in pole mount, easily suspended.
- Arrayable vertically in 4 layers or horizontally in more than 8 columns.

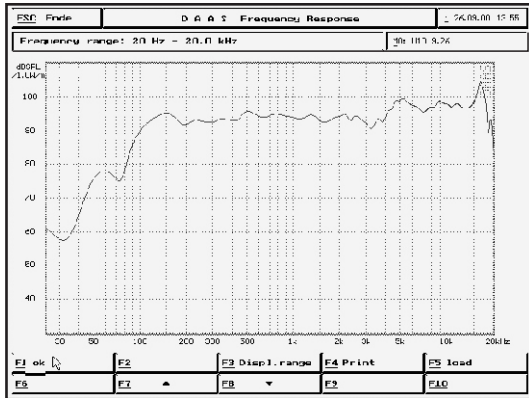


**Beta Three**

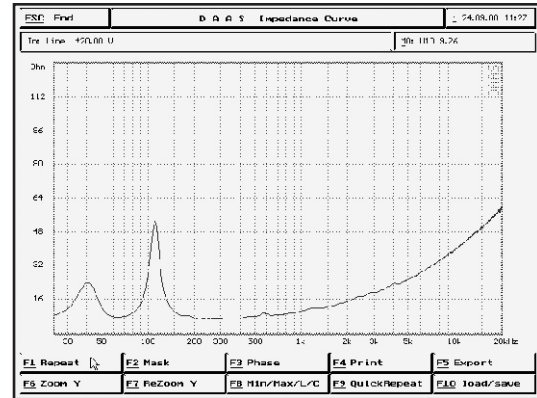
## Model: UIO

### Technical Parameters

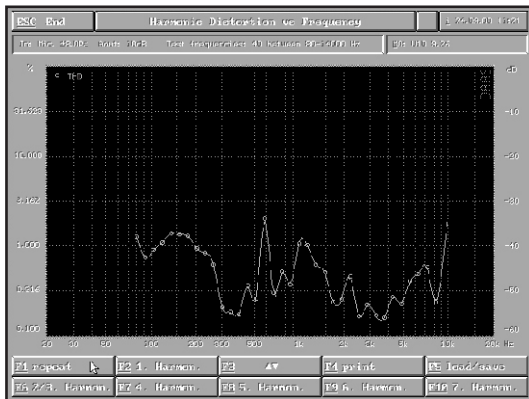
System:	Built-in Crossover Two Way Full Range Speaker	
Driver Quantity:	10" x1(Bass)	Ø34mmx1 Driver
Frequency Response(-3dB):	65Hz-18kHz	
Frequency Response(-10dB):	55Hz-20kHz	
Sensitivity(dB/1W/1m):	95 dB	
Impedance:	8 Ohm	
Power(RMS):	250 W	
Power(PROGRAM):	500 W	
Power(MAX):	1000 W	
Max Sound Level(dB/1m):	119dB	
Tweeter Dispersion(HxV):	90°x60°	
Harmonic Distortion:	≤ 1%	
Connectors:	2xNL4	
Dimensions(WxDxH mm/pcs):	321X321X464mm	
Packing Dimensions(WxDxH mm/pcs)	375X355X535mm	
Net Weight(kg/pcs):	10kg	
Gross Weight(kg/pcs):	12.0kg	



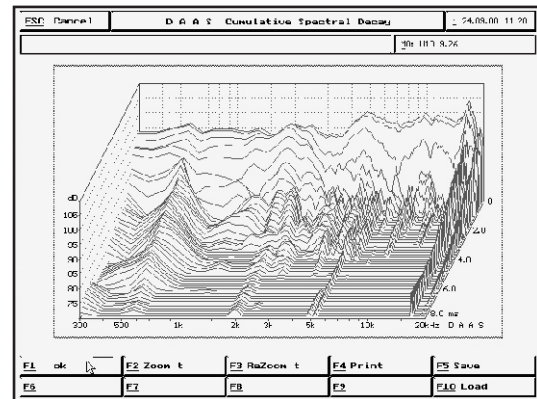
Frequency response, SPL/2.83v



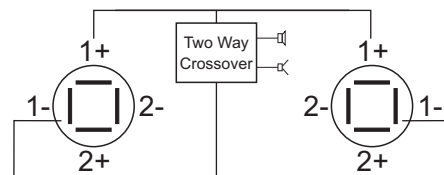
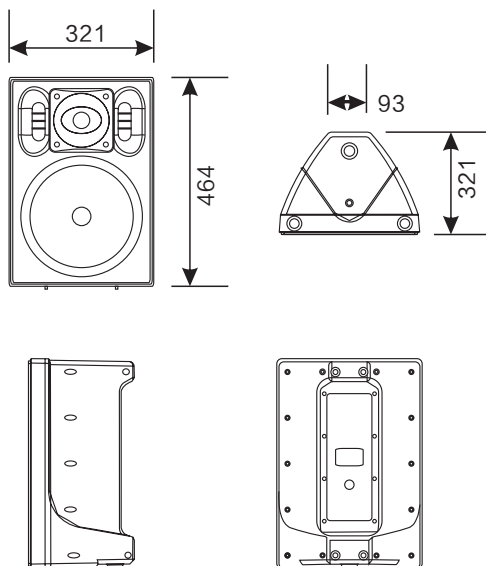
Impedance curve



Harmonic distortion 106dB/2.5m, nominal impedance



Waterfall spectrum analysis



Two Way Crossover

*Cosmetic changes may be made*