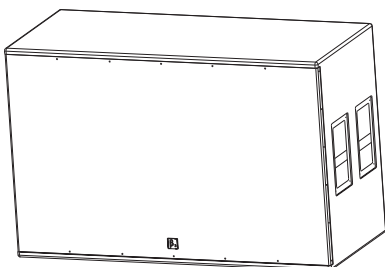




CSB218A

THEATER SUB-WOOFER SPEAKER

USER'S MANUAL



ED-B3-MA-051111-004



Features :

- **Two transducers phase-inversed cinema subwoofer, professional high efficient transducer, computer simulating design.**

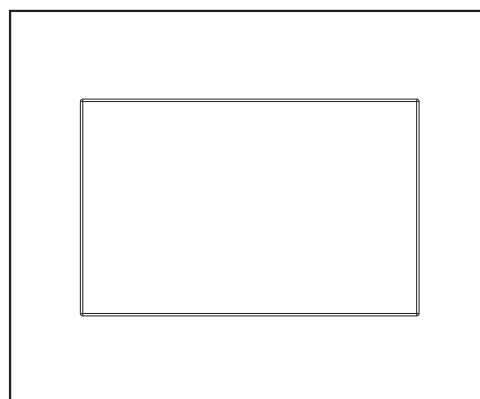
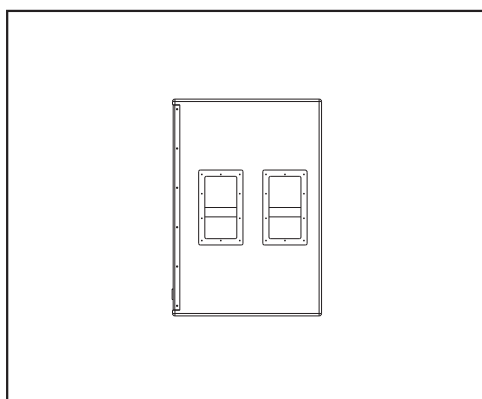
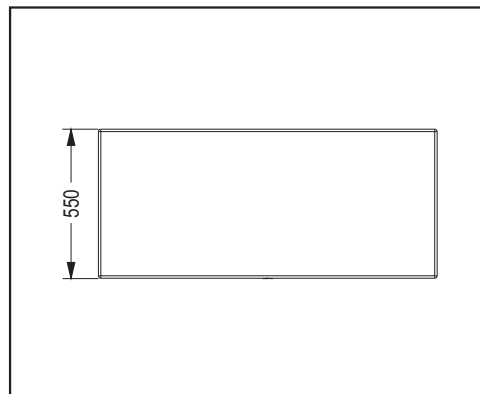
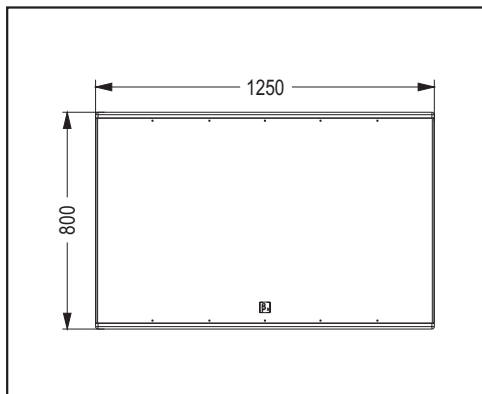
- Two transducers subwoofer
- High SPL, high sensitivity
- Two 18" big power woofers
- Computer simulating design provide good frequency response and phase feature
- Convenient installation mode
- Suitable for big mid/small cinema audio system
- Combining with B3 special speaker controller ΣC-2600 can get good frequency response and phase
- Suitable for THX,DTS and other multi-channel surrounding sound reinforcement in cinema
- Suitable for big mid/small cinema audio system
- Can work with β3 CSR210A,CSR212A,CSR215A ,CS3412A,CS3415A when used for high quality music replaying



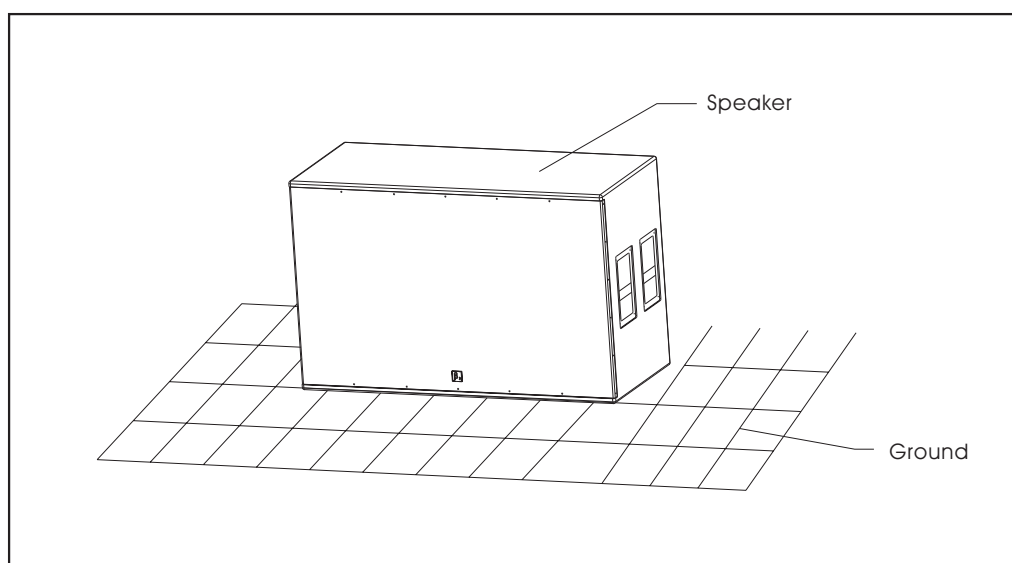
Specifications :

Transducers	Bass: 18"×2
Frequency response(-3dB/-10dB)	29Hz-1.8KHz/23Hz-2KHz
Sensitivity(1m/1W)	97dB
Power(RMS)	1000W
Rated impedance	4 Ohm
DC impedance	3.2 Ohm
THD	<3%
Input	Spring clip
Net weight	105.5Kg
Gross weight	112.0Kg
Dimensions(W×D×H)	1250×550×800mm
Packing dimensions(W×D×H)	1360×660×920mm

Cabinet Dimension:



Installation drawing:



CSB218A
THEATER SUB-WOOFER SPEAKER