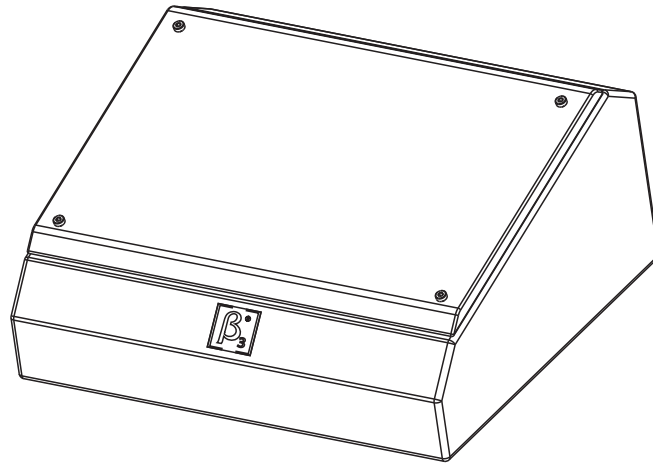




Beta Three

CSR208A





CONTENT

PRODUCT FEATURE	1
SPECIFICATION	1
SOUND PERFORMANCE	2
INSTALLATION	4
DIMENSION	4

CSR208A

PRODUCT FEATURE

■ **Two transducers two way phase-inversed surrounding cinema speaker, professional high efficient transducers. Computer simulating design.**

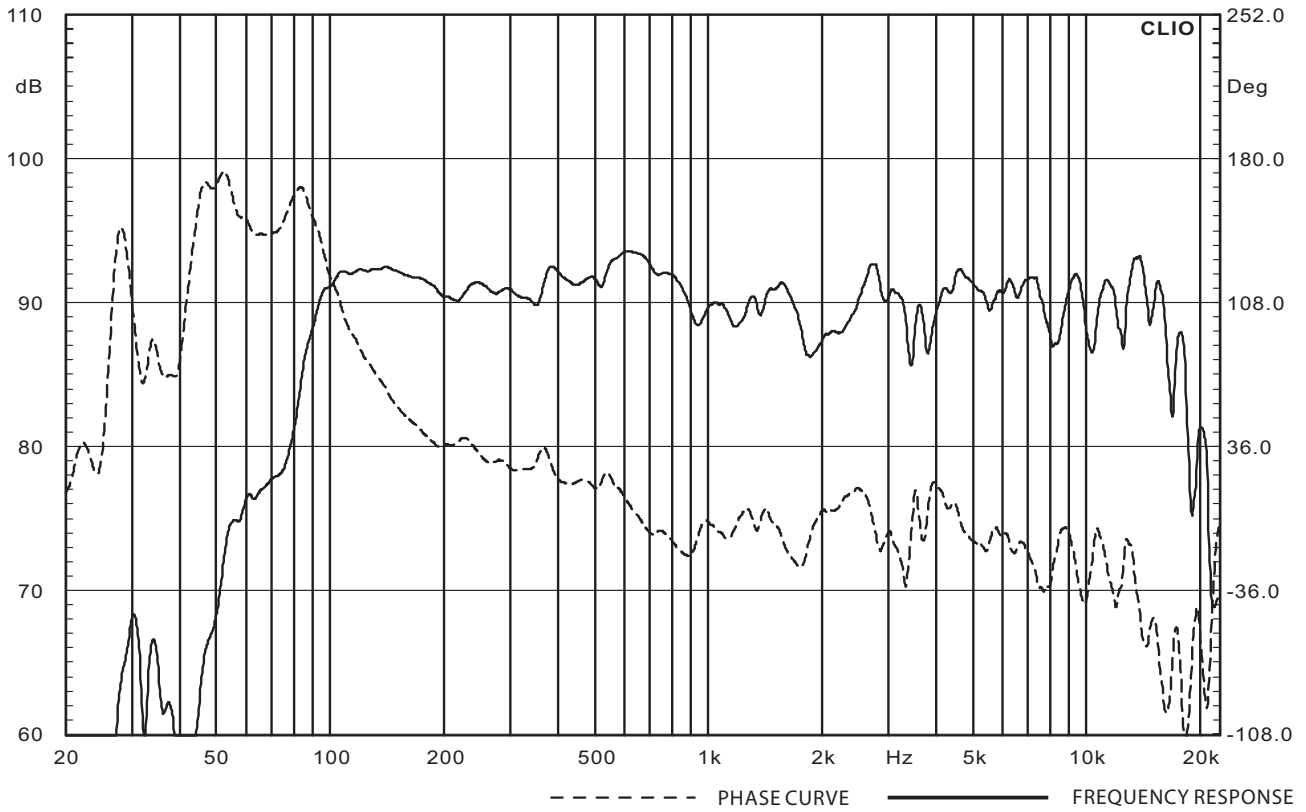
- Two transducers two way full range.
- High SPL, high sensitivity.
- One 8" big power woofer.
- One compression driver with 1" PEI diaphragm.
- Built-in electronic protection crossover.
- Computer simulating design provide very good Frequency response and phase feature.
- Very convenient walling installation mode.
- Suitable for THX, DTS and other multi-channel surrounding sound reinforcement in cinema.
- Suitable for Mid/small cinema audio system.
- Can work with $\beta 3$ high energy bass speaker when used for high quality music replaying.

SPECIFICATION

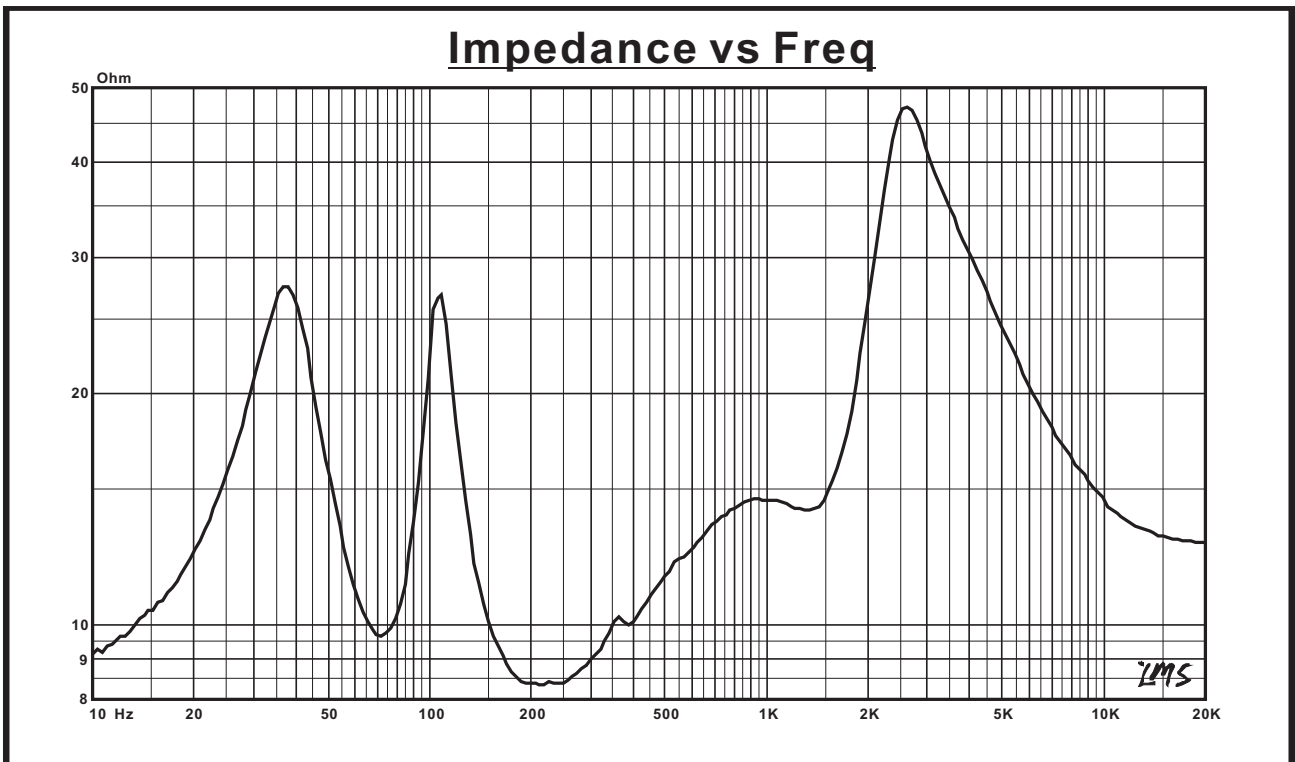
Components	LF: 8"×1 HF: ϕ 25mm×1
Frequency response (-3dB)	70Hz-18kHz
Sensitivity (1W/1m)	91dB
Average SPL (1m)	111dB
Max SPL (1m)	117dB
RMS power	100W
Peak power	200W
Program power	400W
Rated impedance	8 Ω
DC impedance	7.5 Ω
Crossover point	2.5kHz
Harmonic distortion	<3%
Input connector	Spring clip
Net weight	11kg
Gross weight	13kg
Speaker dimension(W×D×H)	450×375×210mm
Package dimension(W×D×H)	455×290×520mm

CSR208A

FREQUENCY RESPONSE, PHASE CURVE

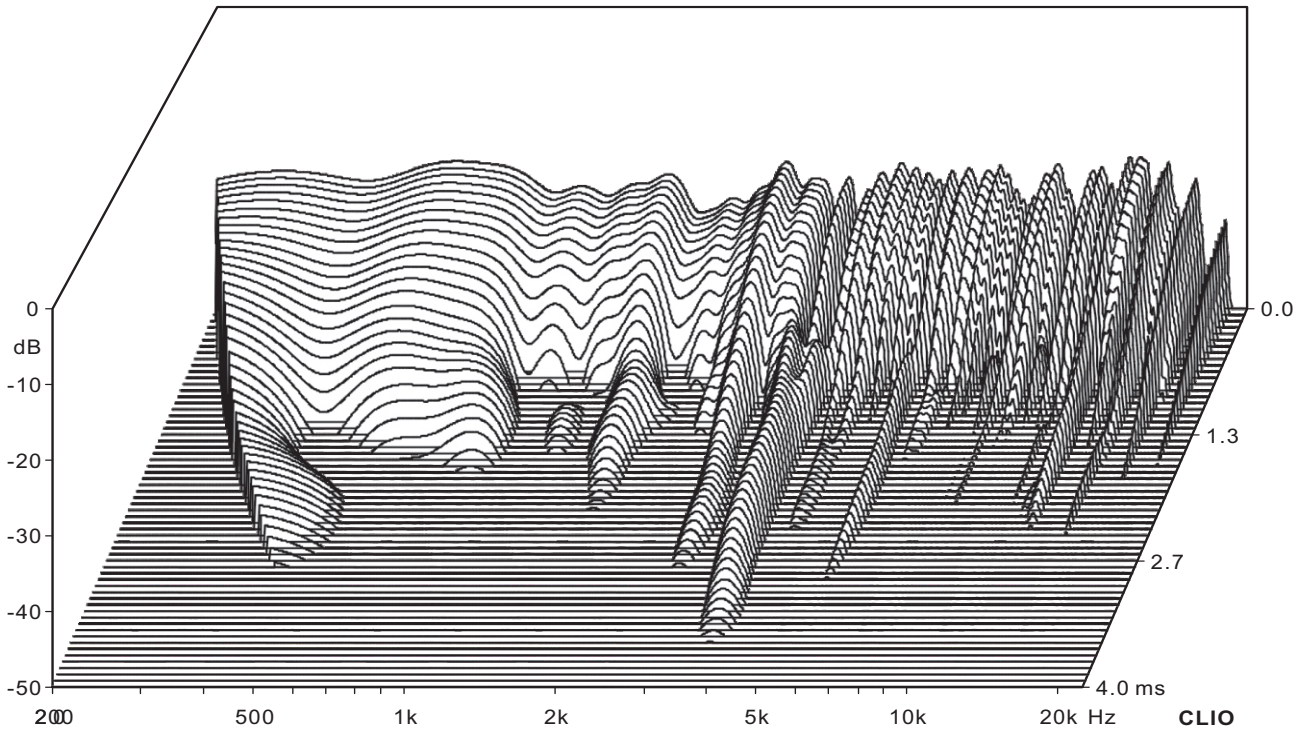


IMPEDANCE CURVE

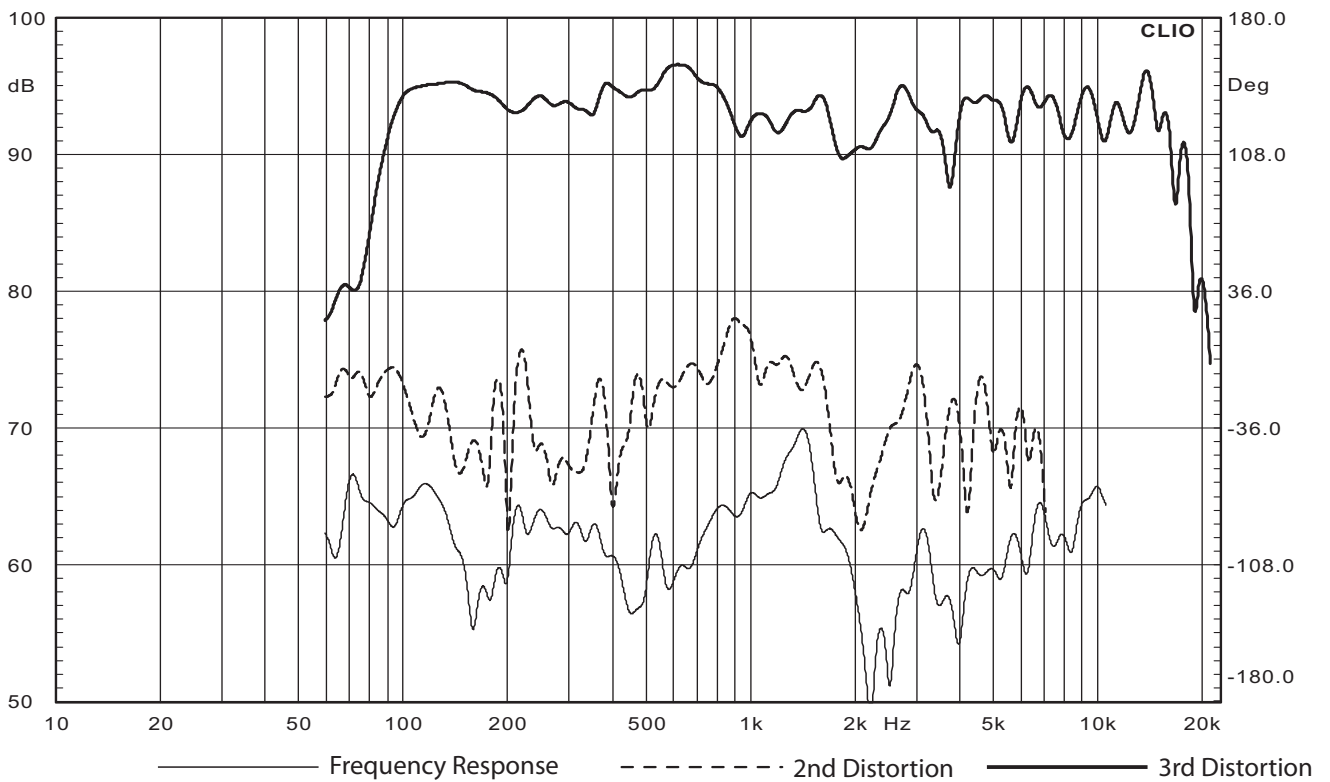


CSR208A

WATERFALL

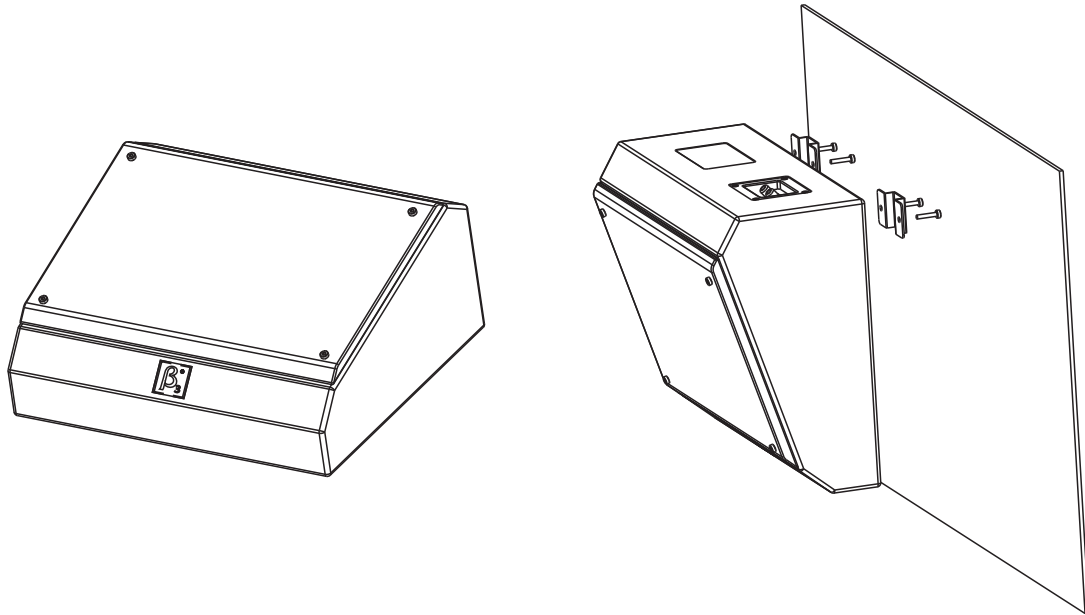


HARMONIC DISTORTION

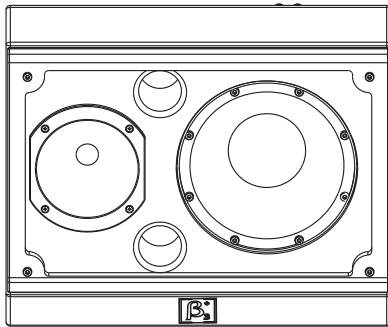


CSR208A

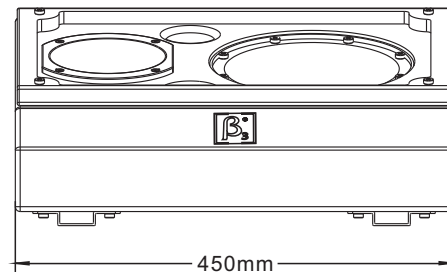
INSTALLATION



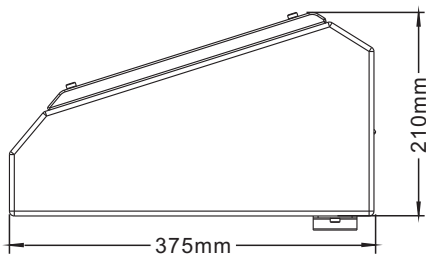
DIMENSION



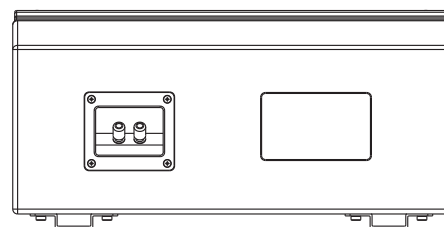
Top View



Front View



Side View



Rear View



Beta Three