



SLA

High SPL Line Array System

SLA series line array system is designed for applications where both constant high SPL and low linear distortion are required. With extremely low distortion, great headroom and optimized rigging system, SLA line array system is excellent for live, rental and portable sound reinforcement applications.

SLA Line Array Series





SLA10H

Full range speaker

SLA10H is a full range speaker of medium-size line array system. It comprises dual 8" ferrite magnetic sub units, a 10" ferrite magnetic MF unit and dual 44mm titanium diaphragm HF drivers. Patented technology of the high frequency waveguide and horn provides quality sound that satisfies customers demands.

SLA10H cabinet is made of 15mm birch plywood with new acoustic design, compact, smart and fashionable appearance. Its polyurethane paint stands wear and tear.



Transducers

MF driver: the high power voice coil is made of high intensity TIL using round copper wire, which not only improves its power handling ability, but also improves its sensitivity.



LF driver: the 50mm the high power voice coil is made of high intensity TIL using round copper wire, which not only improves its power handling ability, but also improves its sensitivity.



Unique acoustic design



Transducers configuration: 1x10" driver mid frequency, 2x 8" drivers low frequency.
This unique speaker and low frequency design coupled with the mid-highs creates a spectacular sounding system. The 2 x 8" low frequency drivers mounted in each side of the cabinet, couple together, balancing the system making a flat frequency response. Increasing the number of elements in the system the low frequencies are increased.



Position of the two 8" driver

Two 8" LF driver mounted on each side of the cabinet shortens the distance between them, sums the low frequencies in phase at the front of array, which increases the throw distance and sound pressure levels. And this design makes SLA10H an extremely compact three-way array speaker compared to equivalents.

SLA212B

W o o f e r



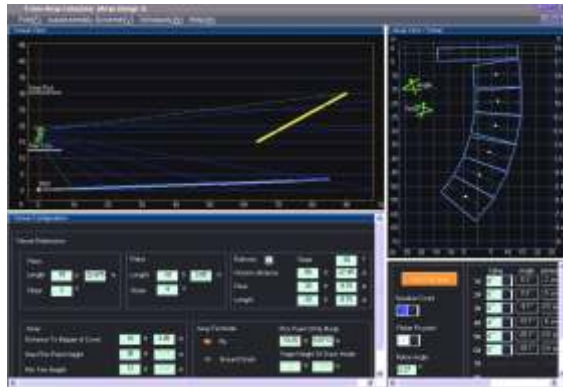
SLA212B is the sub for the SLA array system with convenient and easy rigging hardware to the SLA10H. Bass-reflex design helps SLA212B perform high SPL with small volume. SLA212B is mounted with two 12" high power woofers featured with high powered 100mm diameter voice coils. The voice coil is made of TIL material which helps to increase cooling efficiency of voice coil. Ferrite magnetic circuit provides very high SPL. Rated power is high up to 800W. SLA212B is made of 18mm birch plywood and coated with anticollision and waterproof black polyurethane paint.

SLA Array Calculator

The calculator helps system designers to simulate the acoustical performance of the complete sound system to find the optimal setup for a given venue.

With this calculator, you can

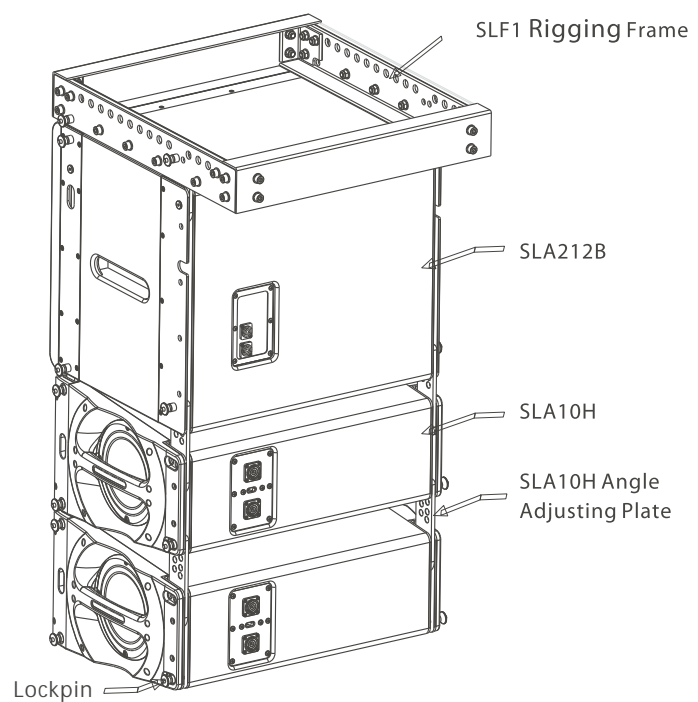
1. Calculate the number of elements for a given venue
2. Calculate the angles of each elements, angle of array and the best rigging point
3. Calculate sound coverage and frequency response



Installation Guidance

SLA array has customized rigging system for convenient and easy rigging installation, no tools are needed.

1. The rigging hardware includes SLF1 frame, locking pins and hardware on front and rear of the cabinets.
The rigging frame SLF1 is a welded steel frame. A maximum of 12 x SLA10H + 6 x SLA212B on any one frame.
2. Vertical angle between each element can be adjusted from 0°-10°.

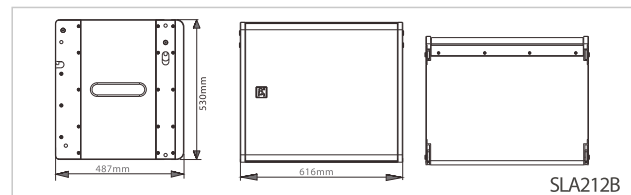
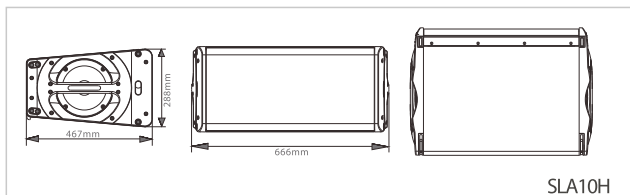


Speaker specification

SLA10H

SLA212B

Acoustical		
Type	3-way full range speaker	Dual 12" subwoofer
Frequency Response(-3dB)	60Hz-20kHz	55Hz-1kHz
Sensitivity(1m/1W)	LF: 98dB MF:103dB HF:110dB/90dB	94dB
Max. SPL	LF:110dB/116dB(peak) HF:121dB/127dB(peak)	120dB/126dB(peak)
Rated Power (RMS)	LF:16 0W MF :200W HF:140W	800W
Rated Impedance	8Ω	4Ω
Coverage(H)	120°	-
Cross over point	1.The bass through, MF/HF 2.8kHz 2.The bass through, MF 100Hz-4kHz, HF 900Hz-20kHz Recommend using the crossover point: 1.6k Hz-3kHz	-
Transducers		
HF	2 x 1.7"(44mm)	-
MF	1 x 10"	-
LF	2 x 8"	2 x 12"
Physical		
Input	1 x NL8	1 x NL4
Output	1 x NL8	1 x NL4
Enclosure	15mm Birch Plywood	15mm Birch Plywood
Finish	Black polyurethane coating	Black polyurethane coating
Handles	2 x side handles	2 x side handles
Rigging	Rigging frame (0 to 10-degree splay angles), quick-release pins	
Dimensions(W x D x H)	675x471x283mm	616 x 487 x 530mm
Net Weight	31kg	41kg
Gross Weight (2pcs/pack)	33kg	45kg
Accessories	1 x rigging frame, quick-release pins attached in cabinet, 2xNeutrik NL8/SLA10H, 2xNeutrik NL4/SLA212B	



SLA

High SPL Line Array System